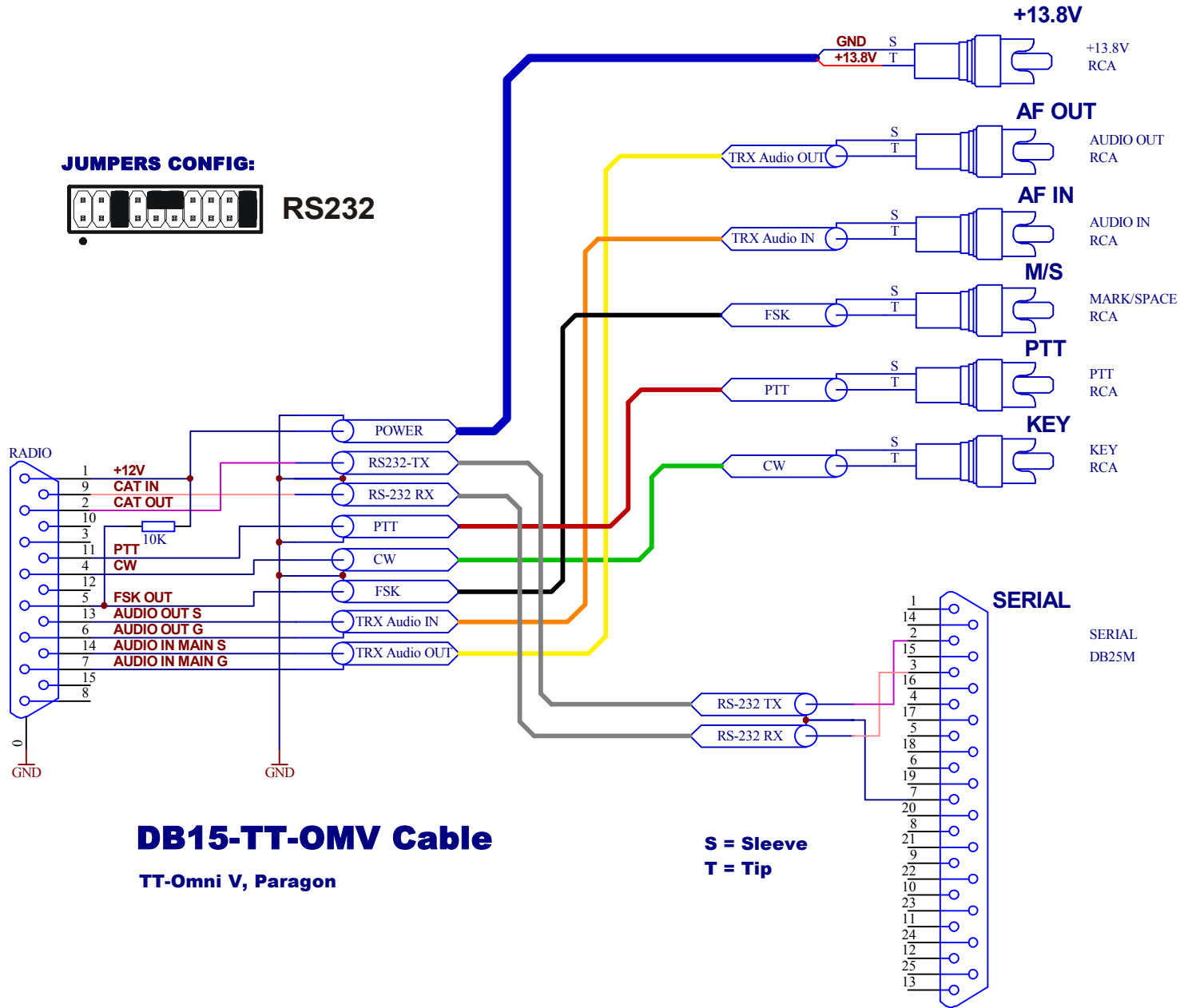


JUMPERS CONFIG:



RS232



+13.8V

+13.8V
RCA

AF OUT

AUDIO OUT
RCA

AF IN

AUDIO IN
RCA

M/S

MARK/SPACE
RCA

PTT

PIT
RCA

KEY

KEY
RCA

SERIAL

SERIAL
DB25M